



TC-H324S Spec:23X/I/E/C/V3.0

PTZ Camera

Pro Series



KEY FEATURES

- Up to 1920×1080@25fps
- Color: 0.001lux@ (F1.5, AGC ON), B/W: 0lux with IR
- S+265/H.265/H.264/M-JPEG
- Optical Zoom 23X
- IR Range Up to 150m
- Built-in Micro SD card slot, up to 512 GB
- Support Smart surveillance
- Support Human/Vehicle Classification
- Operating Conditions -30°C~65°C(IR OFF) -30°C~40°C(IR ON), 0-95%
- DC12V±10%, POE IEEE802.3AT
- IP66

SPECIFICATIONS

Camera	
Image Sensor	1/2.8"CMOS
Min. Illumination	Color: 0.001lux@ (F1.5, AGC ON), B/W: 0lux with IR
Shutter Time	1s~1/100000s
Day&Night	IR-cut filter with auto switch (ICR)
WDR	120dB
Lens	
Focal Length	5mm~115mm
Optical Zoom	23X
Zoom Speed	<5s
Aperture Range	F1.5~F3.0
Field of View	55.8°~3.2°(H); 32.2°~1.8°(V); 61°~3.64°(D)
Focus Control	Auto/Semi-auto/Manual
Iris Control	Auto
Close Focus Distance	1000mm~1500mm
DORI Distance	Detect:1351m Observe:536m Recognize:270m Identify:135m
Pan&Tilt	
Pan Range	360°
Tilt Range	-16°~90° (Default -3°~90°)
Tilt Speed	Manual Speed:0.1°~80°/s Preset: 80°/s
3D Position	Yes
Preset	500
Cruise	16, up to 32 presets per cruise
Scan	8
Pattern	8, each with 600s memory or 1000 orders
Scheduled Task	Preset、Cruise、Scan、Pattern
North Point	Yes(Manual setting)
Power-off Memory	Yes
Illuminator	
IR LEDs	7
IR Distance	Up to 150m
Wavelength	850nm
IR Irradiation Angle	Adjustable by Zoom
Compression Standard	
Video Compression	S+265/H.265/H.264/M-JPEG
Video Bit Rate	32Kbps~16Mbps
Image	
Max. Resolution	1920×1080@25fps
Main Stream	PAL:25fps(1920×1080, 1280×720, 640×480, 704×576) NTSC:30fps(1920×1080, 1280×720, 640×480, 704×480)

Sub Stream	PAL:25fps(704×576, 704×288, 352×288, 640×360) NTSC:30fps(704×480, 704×240, 352×240, 640×360)
Third Stream	PAL:25fps(352×288) NTSC:30fps(352×240)
BLC	Yes
HLC	Yes
AGC	Yes
White Balance	Yes
ROI	7 Dynamic Areas for Both Main and Sub Stream
OSD	5 regions(Each region can have a maximum of 127 characters ,up to 1 line); 16*16/24*24/32*32/48*48/64*64/adaptable size; Vector/Lattice
Defog	Yes
Flip	Normal/Horizontal Mirror/Vertical Mirror/Inverted Flip
Regional Exposure	Yes
Regional Focus	Yes
Demist	Yes

Feature

Alarm Trigger	Motion Detection; Mask Alarm; Voltage Alarm; Disk Full; Disk R/W Error; Recording Exception; IP Address Conflict; MAC Address Conflict; FTP Server Exception ; Network cable disconnected
Linkage Method	send email; trigger recording; trigger capture; notify surveillance center
Video Analytics	Human/Vehicle Classification; Tripwire; Double Tripwire; Perimeter; Object Abandon; Object Lost; Heatmap; Video Abnormal

Network

ANR	ANR
Protocols	HTTP; HTTPS; TCP/IP; UDP; UPnP; ICMP; IGMP; SNMP v1\v2\v3; DHCP; DNS; DDNS; Easy DDNS; NTP; SMTP; TLS; SSL; 802.1x; QoS; IPv4; IPv6; PPPOE; SSH; Unicast; Multicast; ARP; RTP; SRTP; RTSP; FTP; SFTP; PING
System Compatibility	ONVIF Profile S/T/G/M; CGI; Milestone; RTMP
Remote Connection	≤2
User/Host	Up to 32 users. 4 user levels
Client	Easy7 Smart Client
Moblle Client	EasyLive Plus

Interface

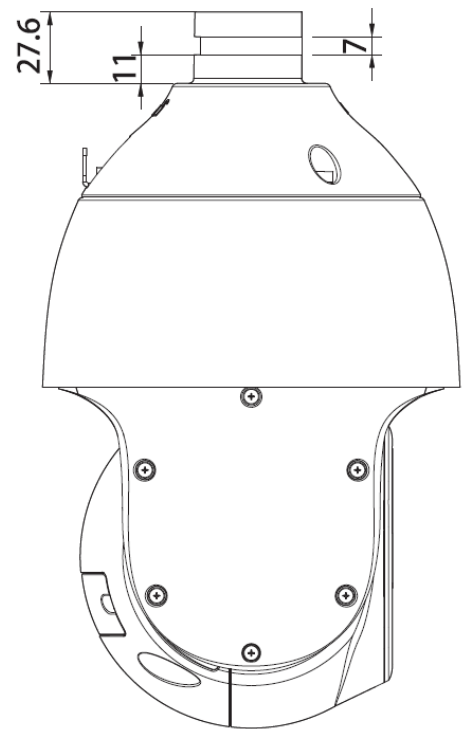
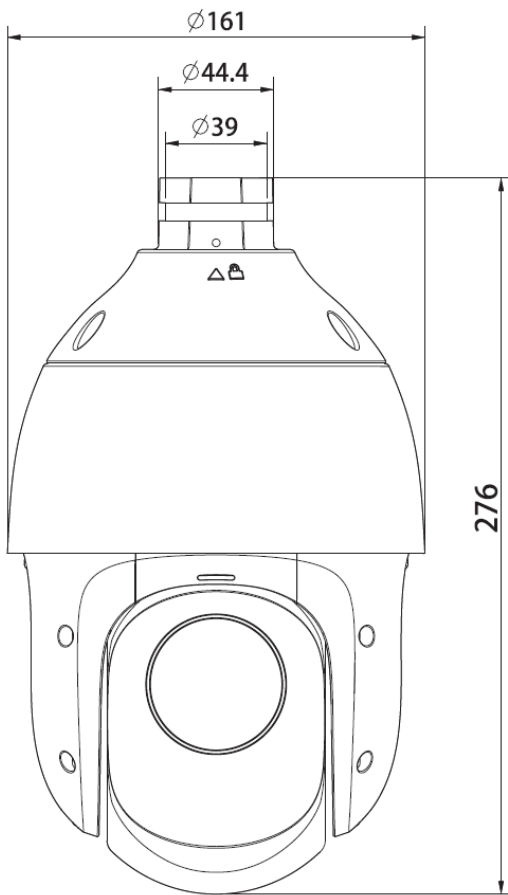
Communication Interface	1*RJ45 10M/ 100M self adaptive Ethernet port
Reset Button	Yes
On-board storage	Built-in Micro SD card slot, up to 512 GB

General

Web Client Language	19 languages Simple Chinese/English/Traditional Chinese/Spanish/Italian/ Korean/Turkish/Russian/Thai/ Polish/French/Dutch/ Hebraism/Vietnamese/Arabic/German/ Ukrainian /Portuguese/Albanian
Operating Temperature	-30°C~65°C(IR OFF) -30°C~40°C(IR ON)
Operating Humidity	0-95%

Storage Temperature	-30°C~65°C
Storage Humidity	0-95%(non-condensing)
Power Supply	DC12V±10%; POE IEEE802.3AT
Protection	Surge protection 4000V; Lightning proof 6000V; IP66
Material	Metal and Plastic
Boundary Dimensions	161mm(D)x276mm(H)
Package Dimensions	260(L)*260(W)*465(H)mm
GrossWeight	3.7kg
NetWeight	2.1kg

DIMENSIONS (Unit: mm)



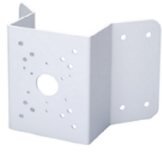
Assembly diagram of Junction Box



TC-P52BM



811



A35



DF21Y



A36