



TC-H332N Spec:I2W/WIFI/4mm/V4.0

PT Camera

Wi-Fi Series



KEY FEATURES

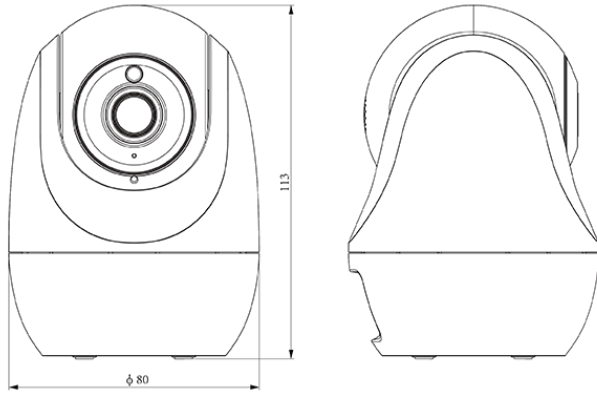
- Plastic housing
- Up to Max. Resolution
- S+265/H.265/H.264B/H.264M/H.264H
- Color:0.02Lux@(F2.0,AGC ON),B/W:0Lux with IR
- IR Range 20m
- Built-in Mic, Built-in Speaker
- Support microSD/microSDHC/microSDXC card, up to 512 GB
- Support Smart surveillance
- Operating Conditions -10°C~45°C(No turning on the light), Humidity 95% or less (no condensation)
- DC12V±25%,MAX 6W

SPECIFICATIONS

Camera	
Image Sensor	1/2.8"CMOS
Min. Illumination	Color:0.02Lux@(F2.0,AGC ON),B/W:0Lux with IR
Shutter Time	1s~1/100000s
Day&Night	IR-cut filter with auto switch (ICR)
WDR	DWDR
S/N	>38dB
Angle Adjustment	0~350°(P); -25°~90°(T)
Lens	
Lens Type	Fixed focal lens
Focal Length	4mm
Lens Mount	M12
Aperture Range	F2.0
Field of View	87.7°(H); 46.7°(V); 98.6°(D)
DORI Distance	Detect:65.3m Observe:25.9m Recognize:13.1m Identify:6.5m
Illuminator	
IR LEDs	4
IR Distance	20m
Wavelength	850nm
White LEDs	1
Whitelight Distance	10m
Compression Standard	
Video Compression	S+265/H.265/H.264B/H.264M/H.264H
Video Bit Rate	32k~4Mbps
Audio Compression	G.711A/G.711U
Audio Sampling Rate	8kHz/16kHz
Image	
Main Stream	PAL:20fps(2304×1296, 1920×1080, 1280×720, 704×576, 640×480) NTSC:20fps(2304×1296), 20fps(1920×1080, 1280×720, 704×480, 640×480)
Sub Stream	PAL:20fps(704×576, 704×288, 352×288, 640×360) NTSC:20fps(704×480, 704×240, 352×240, 640×360)
BLC	Yes
HLC	Yes
AGC	Yes
3D DNR	Yes
White Balance	Auto/Semi-Auto/Manual/Sunshine/Nature Light/Warmlight Lamp/Daylight Lamp/Filament Lamp/Lock White Balance
OSD	Overlay of additional characters in 1 regions, 1 line, with a maximum of 48 characters or 16 Chinese characters per region; 16*16/32*32

Privacy Mask	4 black static areas
Defog	Yes
Feature	
Alarm Trigger	Disk Full; Disk R/W Error; IP Address Conflict
Linkage Method	trigger sound; trigger warmlight; trigger recording; trigger capture; notify surveillance center
Auto-Tracking	Auto-Tracking
Network	
ANR	Yes
Protocols	HTTP; TCP/IP; UDP; ICMP; DHCP; DNS; NTP; IPv4; SSH; Unicast; RTSP; FTP
System Compatibility	ONVIF Profile S/T/G; CGI; Milestone
Remote Connection	≤2
Client	Easy7 Smart Client
Moblle Client	EasyLive Plus
Wi-Fi	
Transmission distance	Up tp 30m(based on actual environment)
Wireless standard	IEEE802.11b/ 802.11g/802.11n
Frequency range	2.4 GHz ~ 2.4835 GHz
Channel bandwidth	20/40MHz
Wi-Fi security	WPA-PSK/WPA2-PSK
Interface	
Communication Interface	1*RJ-45,10/100 Mbps self-adaptive Ethernet port
Reset Button	Yes
On-board storage	Support microSD/microSDHC/microSDXC card, up to 512 GB
General	
Web Client Language	2 languages Simple Chinese/English
Operating Temperature	-10°C~45°C(No turning on the light)
Operating Humidity	Humidity 95% or less (no condensation)
Storage Temperature	-10°C~45°C
Storage Humidity	Humidity 95% or less (no condensation)
Power Supply	DC12V±25%,MAX 6W
Protection	Surge500V; ESD6000V
Boundary Dimensions	80(L)80(W)113(H)mm
Package Dimensions	97(L)97(W)165(H)mm
GrossWeight	0.38kg

DIMENSIONS (Unit: mm)



Assembly diagram of Junction Box